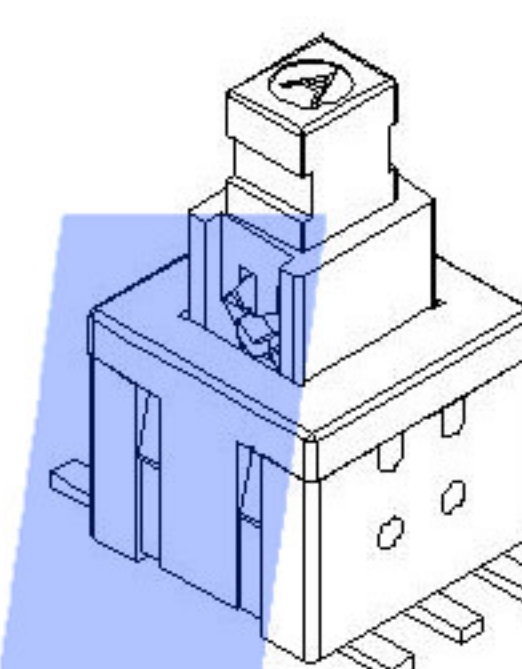
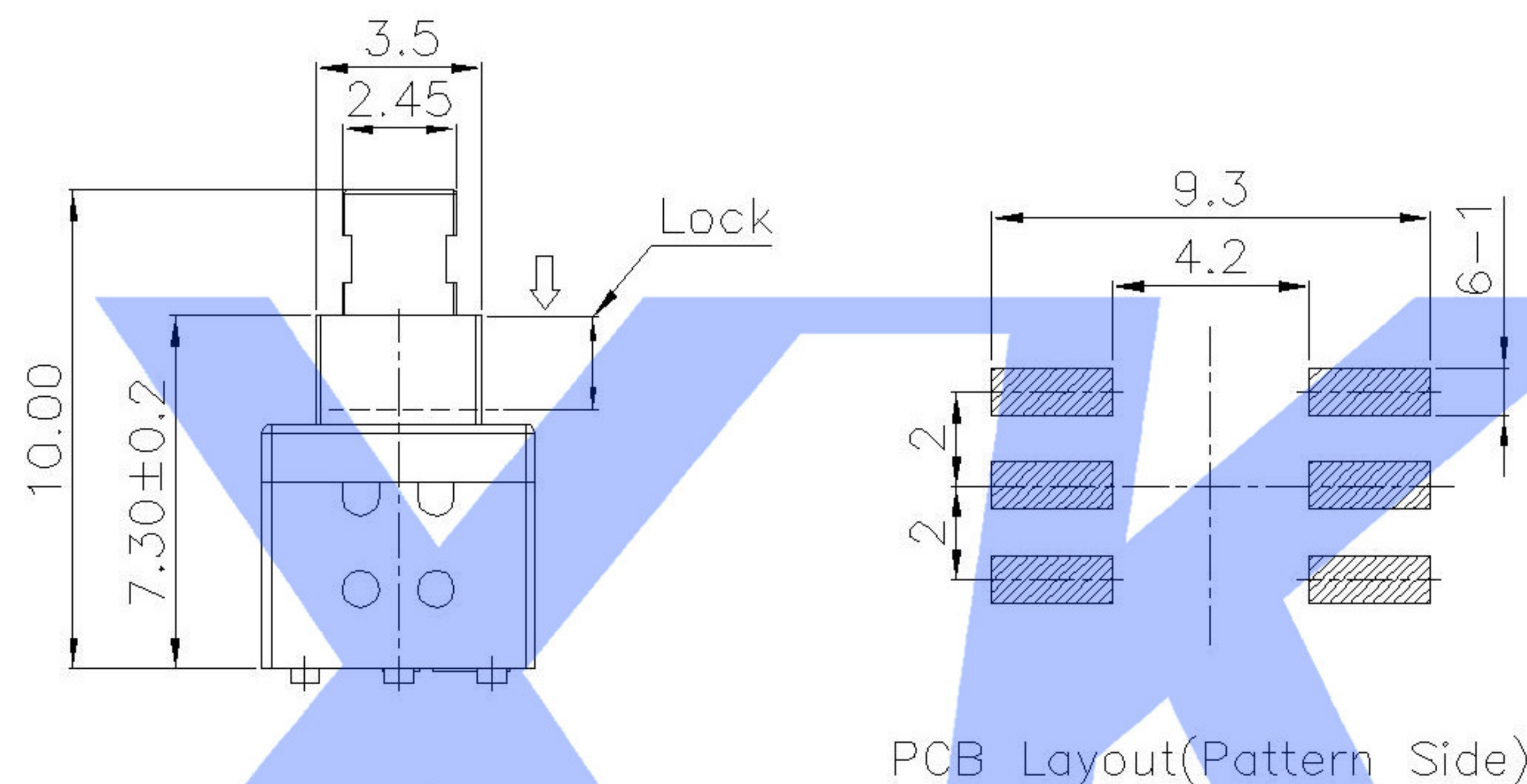
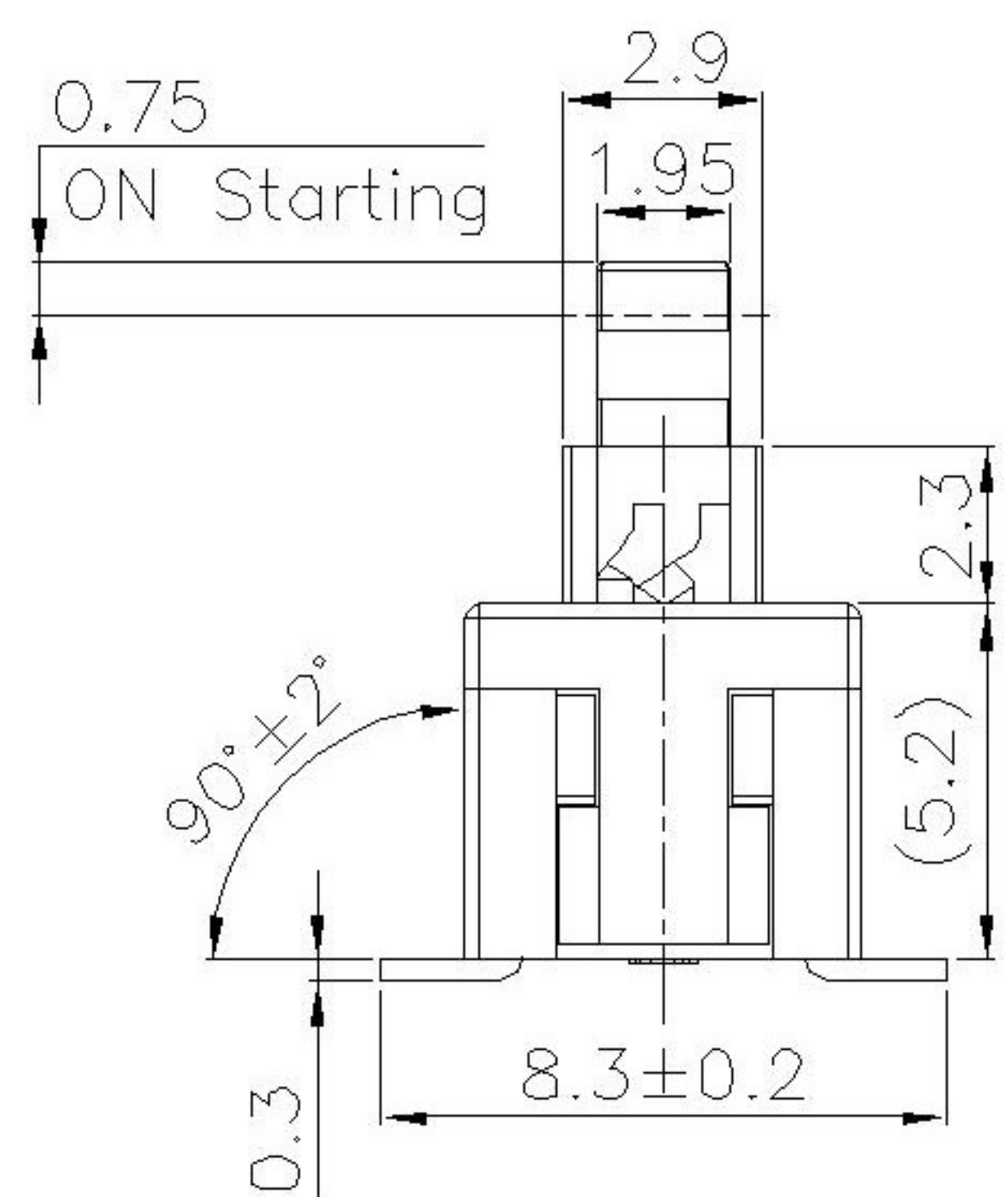
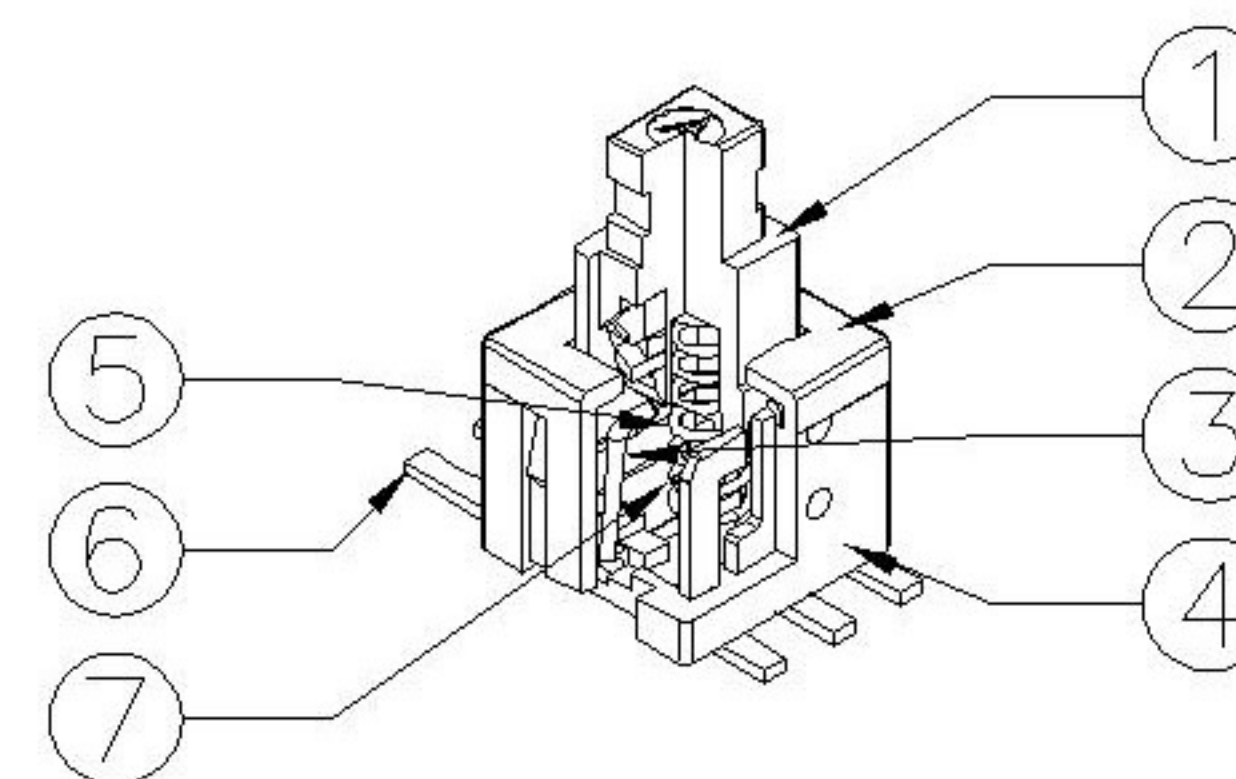


NOTE:
1. Operating Force: 180gf±50gf



FEATURES

- Light operating force.
- Long term low contact resistance.
- Momentary or latching operation.
- Short stroke 1.5mm to latch.
- Compact spacing on PCB of 5.8mm.

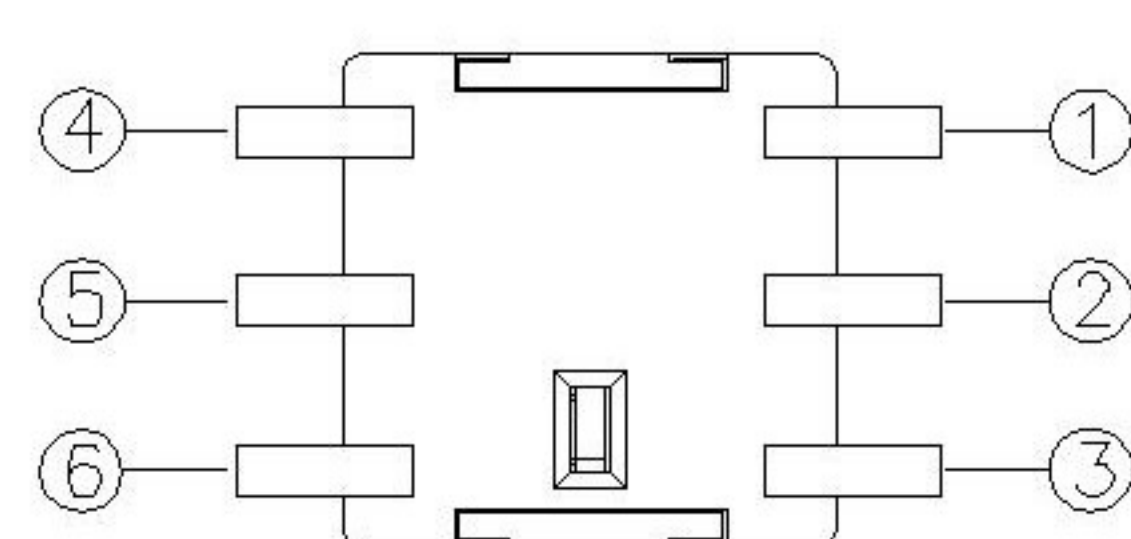
SPECIFICATIONS

1. ELECTRICAL

● Contact rating	0.1A, 30VDC
● Contact resistance	50mW Max.
● Insulation resistance	100MΩ Min. at 250VDC
● Dielectric strength	250VAC Min. for 60 sec.

2. MECHANICAL AND ENVIRONMENTAL

● Temperature rating	Operating: -15°C to +55°C Storage: -25°C to +65°C
● Operation force	160±80gf
● Stroke	Lock Stroke: 1.1±0.2mm Full Stroke: 1.9±0.2mm
● Operating life	full load: 1x10 ⁴ cycles no load: 1x10 ⁵ cycles
● Contact form	DPDT



SWITCH CONNECTOR

Circuit Diagram

ITEM	PAPT NAMF	TER,NO	QTY	MATERIAL	FINISHING	REMARK
⑦	Contact	—	2	Phosphor bronze	ag Plated	—
⑥	Terminal	—	6	Brass strip	ag Plated	—
⑤	spring	—	1	SUS	Natural	—
④	Base	—	1	Nylon	—	—
③	Crochet Needle	—	1	SUS	Natural	—
②	Cover	—	1	Nylon	—	—
①	Keystake	—	1	Nylon	—	—

PAPT NO	XKB5858-X-TP
OPERATION	W: NO LOCK Z: LOCK

MARK	DESCRIPTION	DATE	REVISED	APPROVED	UNSPECIFIED TOLERANCES	DSND	DATE	SCALE: N/A	MODEL TYPE: PUSH SWITCH		
ΔX					ANGLAR ±5°	DWN	DATE	VIEW:	PART NO.: XKB5858		
ΔX					L ≤ 4 ±0.2	CHKD	DATE	UNIT: mm	DWG NO.: XKB5858-X-TP		
ΔX					4 < L ≤ 16 ±0.3	APPD	DATE	SIZE: A4			
					16 < L ≤ 63 ±0.4						
					L > 63 ±0.5						
						XKB INDUSTRIAL PRECISION CO., LIMITED			WEIGHT 1.0g	SHEET 1/1	REVISION A0